

Part Number: PTR51-00110

Kit Contents

Item #	Quantity Reqd.	Description
1	1	Shift Knob
2	1	Installation Instructions
3		

Hardware Bag Contents

Item #	Quantity Reqd.	Description
1		
2		
3		

Additional Items Required For Installation

Item #	Quantity Reqd.	Description
1		
2		
3		

Conflicts

--

Recommended Tools

Personal & Vehicle Protection	Notes
Special Tools	Notes
Clean Terry Cloth	
Installation Tools	Notes
Special Chemicals	Notes

General Applicability

Auto Transmission: 2010 →

Recommended Sequence of Application







Item #	Accessory
1	
2	
3	

*Mandatory

Vehicle Service Parts (may be required for reassembly)

Item #	Quantity Reqd.	Description
1		
2		
3		

Legend

	STOP: Damage to the vehicle may occur. Do not proceed until process has been complied with.
	OPERATOR SAFETY: Use caution to avoid risk of injury.
	CAUTION: A process that must be carefully observed in order to reduce the risk of damage to the accessory/vehicle and to ensure a quality installation.
	TOOLS & EQUIPMENT: Used in Figures calls out the specific tools and equipment recommended for this process.
	REVISION MARK: This mark highlights a change in installation with respect to previous issue.
	SAFETY TORQUE: This mark indicates that torque is related to safety.

Care must be taken when installing this accessory to ensure damage does not occur to the vehicle. The installation of this accessory should follow approved guidelines to ensure a quality installation.



These guidelines can be found in the "Accessory Installation Practices" document.

This document covers such items as:-

- Vehicle Protection (use of covers and blankets, cleaning chemicals, etc.).
- Safety (eye protection, rechecking torque procedure, etc.).
- Vehicle Disassembly/Reassembly (panel removal, part storage, etc.).
- Electrical Component Disassembly/Reassembly (battery disconnection, connector removal, etc.).

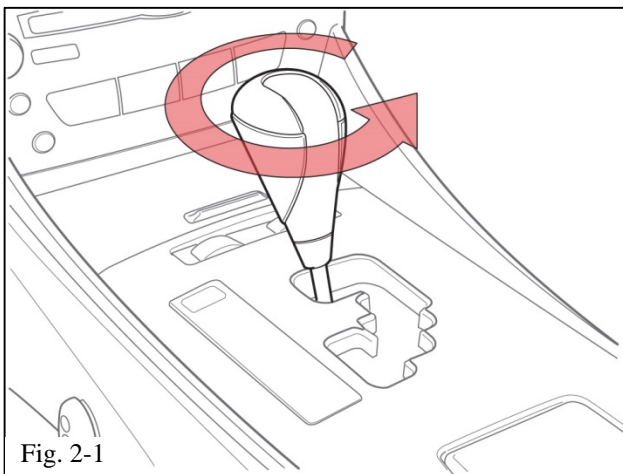
Please see your Toyota dealer for a copy of this document.

1. Pre-installation Precautions.

-  (a) Make sure the vehicle is on a flat surface and not on a slope.
-  (b) Engage the parking brake.

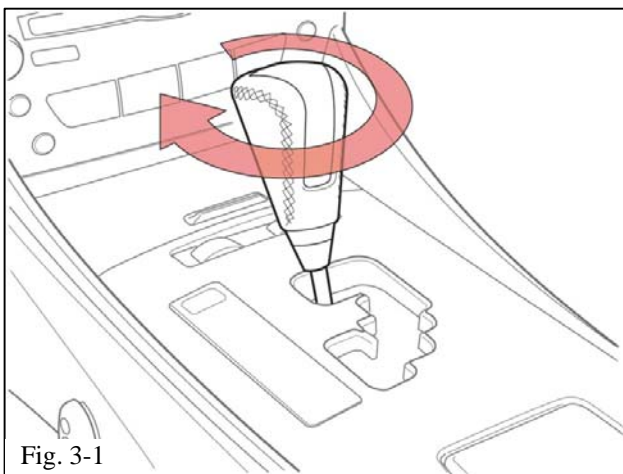
2. Remove the OE Shift Knob.

- (a) Unscrew the OE shift knob counterclockwise until it is removed (Fig. 2-1).
- (b) Discard the OE shift knob.



3. Install the TRD Shift Knob.

- (a) Screw the TRD Shift Knob (clockwise) onto the gear change shaft until the knob is secure and tight (Fig. 3-1).
- (b) Align the TRD logo to 9 o'clock – 3 o'clock.



4. Clean up.

- (a) With a clean terry cloth, wipe down shift knob to remove fingerprints, etc.

Checklist - these points **MUST** be checked to ensure a quality installation.

Check:	Look For:
<p><u>Accessory Function Checks</u></p> <ul style="list-style-type: none"> <input type="checkbox"/> Alignment of the TRD logo <input type="checkbox"/> <input type="checkbox"/> 	<p>Ensure the TRD logo is aligned</p>
<p><u>Vehicle Function Checks</u></p> <ul style="list-style-type: none"> <input type="checkbox"/> Knob to Shaft Assembly <input type="checkbox"/> <input type="checkbox"/> 	<p>Knob is securely fastened and there is no vertical or rotational movement in the knob Shift knob allows full range of motion through all gears</p>
<p><u>Vehicle Appearance Check</u></p> <ul style="list-style-type: none"> <input type="checkbox"/> After accessory installation and removal of protective cover(s), perform a visual inspection. 	<p>Ensure no damage (including scuffs and scratches) was caused during the installation process. (For PPO installations, refer to TMS Accessory Quality Shipping Standard.)</p>